

A new solid timber extension to St Peters High School. Designed to sit within the existing grounds of the school, the solid timber structure provides additional classrooms for pupils with special educational needs as well as providing space for community use. The roof supports a light-weight, low-maintenance, green roof.

SERVICES

structural design of timber superstructure
supply and installation of timber superstructure

MATERIALS

crosslam. glulam
exposed timber finishes

INSTALLATION

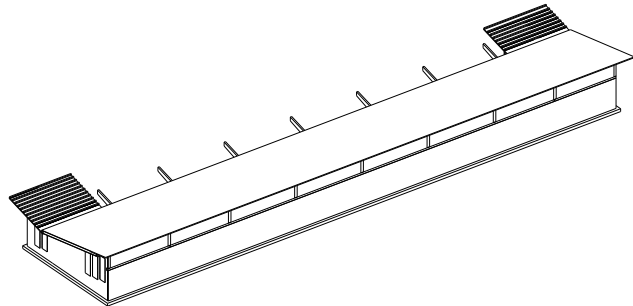
4 weeks

GIFA

532m²

STORED CARBON

97 tonnes CO₂



CLIENT

Manchester City Council

ARCHITECT

Ellis Williams Architects

TIMBER ENGINEER

CarbonEng

MAIN CONTRACTOR

F Parkinsons

PROJECT VALUE

£3.1 million

COMPLETION

2010

ENVIRONMENTAL RATING

TBC



©Ellis Williams